

PROKIT EP 110

Safety systems for temporary edge protection



Edition 02/2011

PERI GmbH
Formwork Scaffolding Engineering

P.O. Box 1264

89259 Weissenhorn

Germany

Tel. +49 (0) 7309.950-0

Fax +49 (0) 7309.951-0

info@peri.com

www.peri.com

Important notes

Without exception, all current safety regulations must be observed in those countries where our products are used.

The illustrations in this brochure are photographs of real site situations. Therefore, for example, the safety and anchor details featured cannot always be regarded as permanent and final.

Close attention must be paid to safety instructions and load specifications at all times.

Separate structural calculations are required for any deviations from the standard design data.

The information contained herein is subject to technical changes in the interests of progress. Errors and typographical mistakes reserved.

Contents

PROKIT EP 110

- 2 Reliable securing of edges on building shells and formwork

PROKIT EP 110 – minimum of components, complete safety

- 4 On building shells according to EN 13374 Class A
- 5 On formwork according to DIN EN 12811

- 6 Components
- 8 PERI International

PROKIT EP 110

Reliable securing of edges

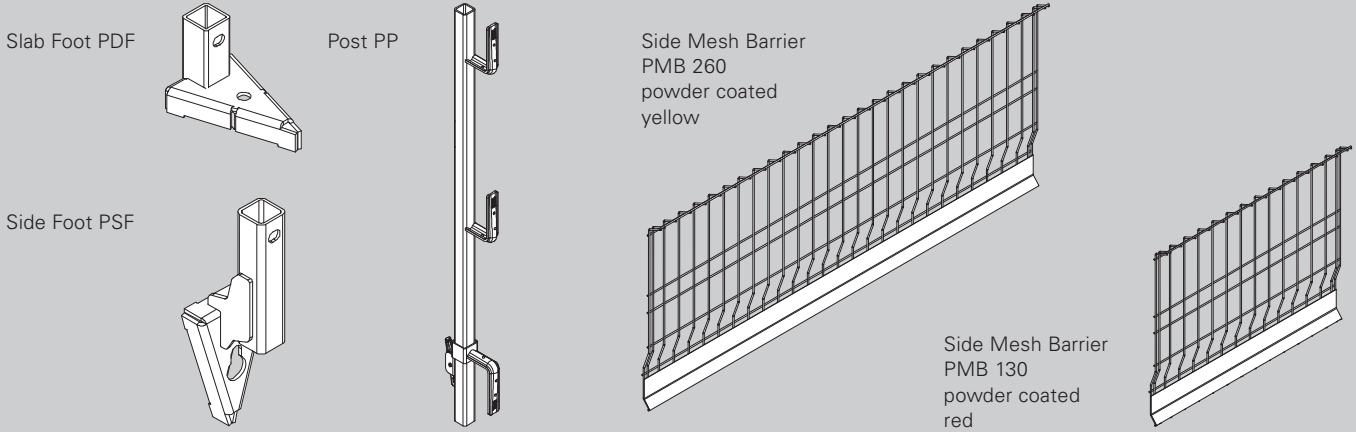
Health is the most important thing a person has. Safe workplaces and access means increase the effectiveness and performance of site personnel.

With the introduction of PROKIT, PERI has developed system components which allow reliable securing of potentially dangerous edges on building shells and formwork with a minimum of assembly time and effort.



On building shells and formwork

Minimum number of different system components for a wide range of applications



■ Securing of edges on building shells according to EN 13374 Class A



PROKIT provides a reliable, collective safety barrier on open building edges.



The re-usable PERI anchor bolt can be used for assembly of both the slab foot and side foot.

Easy and simple assembly

Protection is assembled on or at the edge of the slab, on the lateral wall area or on the stair stringer. The building edges are quickly and easily secured after inserting the self-securing posts and mounting the side mesh barrier.

Mounting suggestion

PERI Anchor Bolt
Item no. 117020

Bolt ISO M16 x 140-8.8, galv.
Item no. 722169
Recommended mounting parts
Socket Dowel M16, Pfeifer
Orderno.: 05.258.163.100

■ Securing of edges on formwork according to DIN EN 12811



Variable mounting possibilities allow the use of virtually all formwork and scaffolding systems.

PROKIT EP 110 – minimum of components, complete safety

On building shells according to EN 13374 Class A



Use of Side Mesh Barrier PMB with the Guardrail Holder-2 from the PERI formwork product range. For easy and quick clamping from 0 to 42 cm.



The holding brackets on the posts have nail and screw holes already in place so that handrail boards can also be quickly and securely fixed.



With the help of the post extension and a second mesh barrier, side protection can be increased to a height of 1.75 m.

■ Securing of edges on building shells according to EN 13374 Class A

As temporary edge protection for slabs, walls and stairs, PROKIT EP 110 offers maximum safety for subsequent construction-related work and other tradesmen activities.

Simple assembly allows the use of PROKIT even with complicated building geometries.

With only two different side mesh barrier sizes, posts and assembly feet, flexible application is realisable without extensive planning effort.

The low number of system components simplify assembly, on-site requirements and logistics.



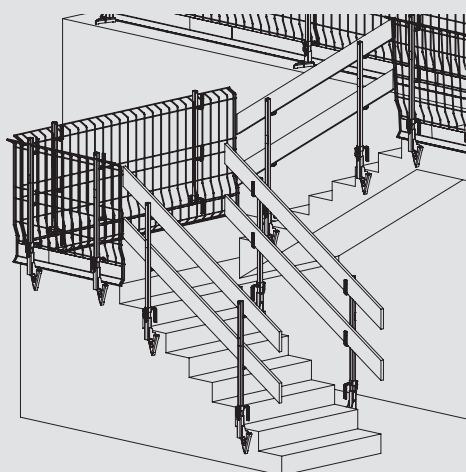
On the formwork according to DIN EN 12811



Mounting details

Top side of slab: Side Mesh Barrier PMB on Post PP and Slab Foot PDF (left illustration).
Front side: Side Mesh Barrier PMB on Post PP and Side Foot PSF.

Side protection in the stair area by means of handrail boards which can be easily and simply attached to the PROKIT side feet and posts.



■ Securing of edges on formwork

according to DIN EN 12811

The compatibility with PERI formwork and scaffolding systems facilitates a wide variety of applications of the PROKIT EP 110.

Through the low number of different individual components, the utilisation rate of the materials along with the rentability are increased. Construction site logistics is also simplified.



The Side Mesh Barrier PMB on Scaffold Brackets GB 80 form the side protection platform of a VARIO climbing formwork.



Just as the Side Mesh Barrier PMB can be used with MAXIMO and TRIO panel formwork on Scaffold Brackets TRG 80 for working and concreting scaffolds, the use as counter railings is also possible.

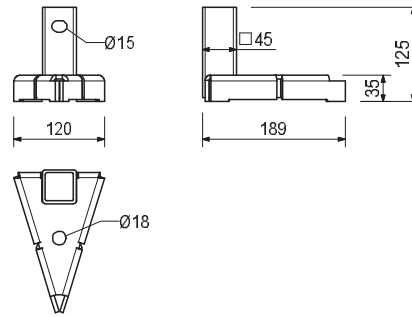
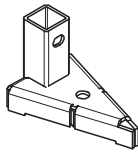


Side Mesh Barrier PMB as safety protection with guardrail posts mounted on a slab table.

Item no.	Weight kg
117323	1,550

Slab Foot PDF

For mounting safety barriers to slab edges.



117020	0,213
117325	4,280

Accessories

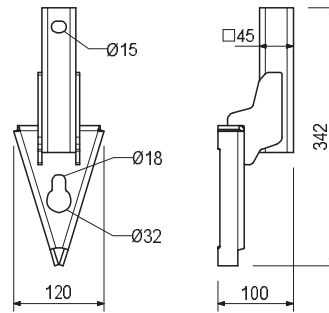
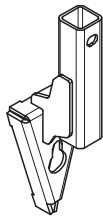
Anchor Bolt PERI 14 x 150

Post PP

117324	2,210
--------	-------

Side Foot PSF

For mounting safety barriers to walls and stairs.



117020	0,213
117325	4,280

Accessories

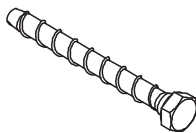
Anchor Bolt PERI 14 x 150

Post PP

117020	0,213
--------	-------

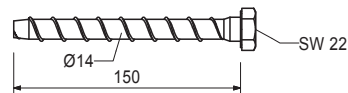
Anchor Bolt PERI 14 x 150

Re-usable. Construction Approval is available on request.



Note

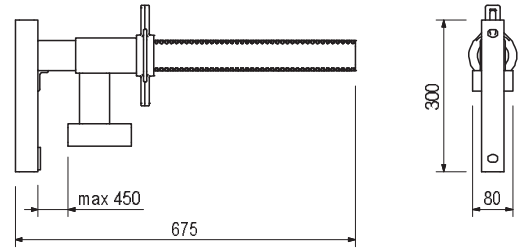
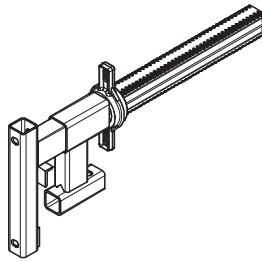
For permissible load, see data sheet.
Wrench size SW 22.



Item no.	Weight kg
118660	6,610

Uni-Clamp PUC

For mounting safety barriers to the front side of the slab or on a parapet.



117325	4,280
--------	-------

Accessories

Post PP

117325	4,280
--------	-------

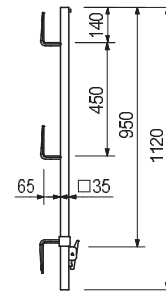
Post PP

For fixing the side mesh barrier.



Technical Data

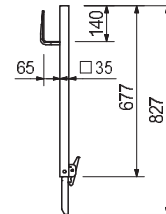
Maximum post spacing with side mesh barrier:
PMB 260 max. 2.40 m, PMB 130 max. 1.20 m.



118296	2,920
--------	-------

Post Extension PPE

For increasing the height of the side protection to 1.75 m.



117326	19,700
117327	10,500

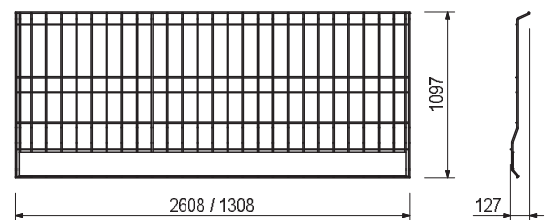
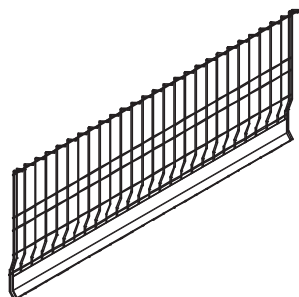
Side Mesh Barrier PMB

Side Mesh Barrier PMB 260

Side Mesh Barrier PMB 130

Technical Data

Maximum post spacing with side mesh barrier:
PMB 260 max. 2.40 m, PMB 130 max. 1.20 m.





01 PERI GmbH
 Rudolf-Diesel-Strasse
 89264 Weissenhorn
 info@peri.com
 www.peri.com



02 France
 PERI S.A.S.
 77109 Meaux Cedex
 peri.sas@peri.fr
 www.peri.fr

03 Switzerland
 PERI AG
 8472 Ohringen
 info@peri.ch
 www.peri.ch

04 Spain
 PERI S.A.
 28110 Algete - Madrid
 info@peri.es
 www.peri.es

05 Belgium/Luxembourg
 N.V. PERI S.A.
 1840 Londerzeel
 info@peri.be
 www.peri.be

06 Netherlands
 PERI B.V.
 5480 AH-Schijndel
 info@peri.nl
 www.peri.nl

07 USA
 PERI Formwork Systems, Inc.
 Elkridge, MD 21075
 info@peri-usa.com
 www.peri-usa.com

08 Indonesia
 PT Beton Perkasa Wijaksana
 Jakarta 10210
 bpw@betonperkasa.com
 www.peri.com

09 Italy
 PERI S.p.A.
 20060 Basiano
 info@peri.it
 www.peri.it

10 Japan
 PERI Japan K.K.
 Tokyo 103-0015
 info@perijapan.jp
 www.perijapan.jp

11 United Kingdom/Ireland
 PERI Ltd.
 Rugby, CV23 0AN
 info@peri.ltd.uk
 www.peri.ltd.uk

12 Turkey
 PERI Kalıp ve İskeleleri
 Esenyurt / İstanbul 34510
 info@peri.com.tr
 www.peri.com.tr

13 Hungary
 PERI Kft.
 1181 Budapest
 info@peri.hu
 www.peri.hu

14 Malaysia
 PERI Formwork Malaysia
 Sdn. Bhd.
 43300 Seri Kembangan,
 Selangor Darul Ehsan
 info@perimalaysia.com
 www.perimalaysia.com

15 Singapore
 PERI ASIA Pte. Ltd
 Singapore 387355
 pha@periasia.com
 www.periasia.com

16 Austria
 PERI Ges.mbh
 3134 Nußdorf ob der Traisen
 office@peri.at
 www.peri.at

17 Czech Republic
 PERI spol. s r.o.
 252 42 Jesenice u Prahy
 info@peri.cz
 www.peri.cz

18 Denmark
 PERI Danmark A/S
 2670 Greve
 peri@peri.dk
 www.peri.dk

19 Finland
 PERI Suomi Ltd. Oy
 05460 Hyvinkää
 info@perisuomi.fi
 www.perisuomi.fi

20 Norway
 PERI Norge AS
 3036 Drammen
 info@peri.no
 www.peri.no

21 Poland
 PERI Polska Sp. z o.o.
 05-860 Płochocin
 info@peri.pl.pl
 www.peri.pl.pl

22 Sweden
 PERIform Sverige AB
 30013 Halmstad
 peri@periform.se
 www.periform.se

23 Korea
 PERI (Korea) Ltd.
 Seoul 135-080
 info@perikorea.com
 www.perikorea.com

24 Portugal
 PERIcofragens Lda
 2790-326 Queijas
 info@peri.pt
 www.peri.pt

25 Argentina
 PERI S.A.
 B1625GPA Escobar – Bs. As.
 info@peri.com.ar
 www.peri.com.ar

26 Brazil
 PERI Formas e
 Escoramentos Ltda.
 Vargem Grande Paulista
 São Paulo
 info@peribrasil.com.br
 www.peribrasil.com.br

27 Chile
 PERI Chile Ltda.
 Colina, Santiago de Chile
 peri.chile@peri.cl
 www.peri.cl

28 Romania
 PERI România SRL
 077015 Balotești
 info@peri.ro
 www.peri.ro

29 Slovenia
 PERI Slovenien
 2000 Maribor
 peri.slo@triera.net
 www.peri.com

30 Slovakia
 PERI spol. s r.o.
 903 01 Senec
 info@peri.sk
 www.peri.sk

31 Australia
 PERI Australia Pty. Ltd.
 Glendenning NSW 2761
 info@periaus.com.au
 www.periaus.com.au

32 Estonia
 PERI AS
 76406 Saku vald
 Harjumaa
 peri@peri.ee
 www.peri.ee

33 Greece
 PERI Hellas Ltd.
 194 00 Koropi
 info@perihellas.gr
 www.perihellas.gr

34 Latvia
 PERI SIA
 2118 Salaspils novads,
 Rigas rajons
 info@peri-latvija.lv
 www.peri-latvija.lv

35 United Arab Emirates
 PERI (L.L.C.)
 Dubai
 perillc@perime.com
 www.perime.com



- 36 Canada**
PERI Formwork Systems, Inc.
Bolton, ON – L7E 1K1
info@peri.ca
www.peri.ca
- 37 Lebanon**
Lebanon Representative Office
Jdeideh
lebanon@peri.de
www.peri.de
- 38 Lithuania**
PERI UAB
02300 Vilnius
info@peri.lt
www.peri.lt
- 39 Morocco**
PERI S.A.
Tanger
peri25@menara.ma
www.peri.com
- 40 Israel**
PERI Formwork
Engineering Ltd
Petach Tikva, 49002
info@peri.co.il
www.peri.co.il
- 41 Bulgaria**
PERI Bulgaria EOOD
1839 Sofia
peri.bulgaria@peri.bg
www.peri.bg
- 42 Iceland**
Armar ehf.
220 Hafnarfjörður
www.armor.is
- 43 Kazakhstan**
TOO PERI Kazakhstan
050014 Almaty
peri@peri.kz
www.peri.kz
- 44 Russian Federation**
OOO PERI
142407, Noginsk District
moscow@peri.ru
www.peri.ru
- 45 South Africa**
Wiehahn Formwork and
Scaffolding (Pty) Ltd.
7600 Stellenbosch
info@wiehahn.co.za
www.wiehahn.co.za
- 46 Ukraine**
TOW PERI Ukraina
07400 Brovary
peri@peri.ua
www.peri.ua
- 47 Egypt**
Egypt Branch Office
11361 Heliopolis / Cairo
info@peri.com.eg
www.peri.com.eg
- 48 Serbia**
PERI Oplate d.o.o.
11272 Dobanovci
office@peri.rs
www.peri.rs
- 49 Mexico**
PERI Cimbras y Andamios,
S.A. de C.V.
Estado de México,
info@peri.com.mx
www.peri.com.mx
- 50 Azerbaijan**
PERI Kalıp ve İskeleleri
Baku
peribaku@peri.com.tr
www.peri.com.tr
- 51 Turkmenistan**
PERI Kalıp ve İskeleleri
Aşgabat
ahmet.kadioglu@peri.com.tr
www.peri.com.tr
- 52 Belorussia**
PERI Belarus
220030 Minsk
info@peri.by
www.peri.com
- 53 Croatia**
PERI oplate i skele d.o.o.
10 250 Donji Stupnik/
Zagreb
info@peri.com.hr
www.peri.com.hr
- 54 Iran**
PERI GmbH
Iran Branch Office
Tehran
info@peri.ir
www.peri.ir
- 55 India**
PERI (India) Pvt Ltd
Mumbai – 400064
info@peri.in
www.peri.in
- 56 Jordan**
PERI GmbH - Jordan
11947 Amman
jordan@peri.com
www.peri.com
- 57 Kuwait**
PERI Kuwait
13011 Kuwait
kuwait@peri.com
www.peri.com
- 58 Saudi Arabia**
PERI Engineering
Division of Jamjoom
Consult Saudi Arabia
21463 Jeddah
info@peri.com.sa
www.peri.com.sa
- 59 Qatar**
PERI Qatar LLC
P.O.Box: 31295 - Doha
info@periqatar.com
www.periqatar.com
- 60 Algeria**
Société PERI S.A.S.
Kouba - Alger
peri.alger@peri.fr
www.peri.fr
- 61 Albania**
PERI Sh.p.k.
Tirane
erti.hasanaj@peri.com.tr
www.peri.com.tr
- 62 Peru**
PERI Peruana SAC
Chorrillos, Lima
contacto@peri.com.pe
www.peri.com.pe
- 63 Panama**
PERI Panama Inc.
0832-00155 Panama City
info@peri.com.pa
www.peri.com.pa
- 64 Angola**
PERIcofragens, Lda.
Luanda
renato.portugal@peri.pt
www.peri.pt
- 65 Nigeria**
Heights Access Nigeria Ltd.
Victoria Island, Lagos
info@heightsaccessng.com
www.heightsaccessng.com
- 66 Oman**
PERI (L.L.C.)
Muscat
perimct@perime.com
www.perime.com

PERI Product Range



Wall Formwork

Panel Formwork
Girder Formwork
Circular Formwork
Facade Formwork
Brace Frame



Climbing Systems

Climbing Scaffold
Self-Climbing System
Climbing Protection Panel
Platform Systems



Column Formwork

Square
Rectangular
Circular



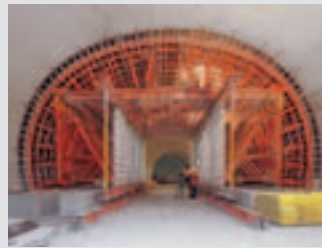
Scaffold, Stairways, Working Platforms

Facade Scaffold
Working Platform
Weather Protection Roof
Stairway Access



Slab Formwork

Panel Formwork
Beam Grid Formwork
Girder Formwork
Slab Table
Beam Formwork



Bridge and Tunnel Formwork

Cantilevered Parapet Carriage
Cantilevered Parapet Platform
Engineer's Construction Kit



Shoring Systems

Steel Slab Props
Aluminium Slab Props
Tower Systems
Heavy-Duty Props



Services

Formwork Assembly
Cleaning / Repairs
Formwork Planning
Software
Statics
Special Constructions

Additional Systems

Safety Systems
Plywood
Formwork Girders
Stoend Systems
Pallets
Transportation Containers



PERI GmbH Formwork Scaffolding Engineering

P.O. Box 1264
89259 Weissenhorn
Germany
Tel. +49 (0)7309.950-0
Fax +49 (0)7309.951-0
info@peri.com
www.peri.com